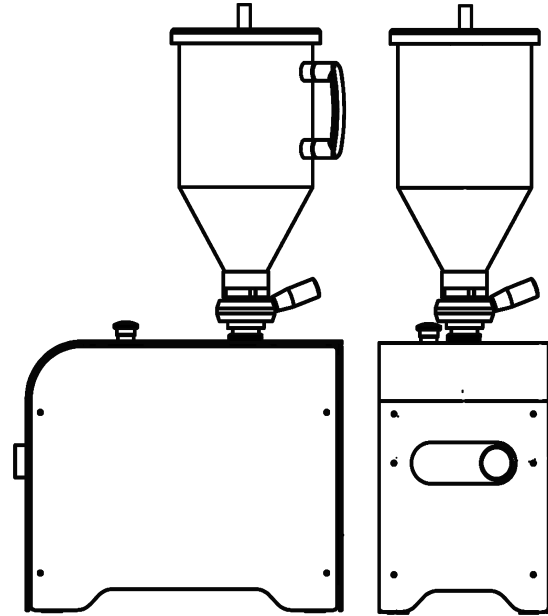


AIRID

POLYMER DRYER



POLYMER DRYER

Product Specifications

Hopper	Volume	5 liters
	Assembly	Quick-release
	Drying capacity	1kg / 3 hr (for PA6)
	Hopper material	Stainless steel polished
Temperature	Stable temperature control	Up to 160 °C
Materials	Compatibility	Granulates, flakes and powders
	Settings	Presets for standard materials
	Material amount	Recommendation: 1 to 3 kg
Energy	Voltage	220- 230V
	Frequency	50- 60 Hz
Accessibility	Clean	Easy to clean
	Stirring	Integrated stirring mechanism: Adjustable speeds
	Air flow	Adjustable
Size & Weight	Dimensions with hopper	220 mm x 425 mm x 720 mm 8.7 x 16.7 x 28.3 inches
	Dimensions without hopper	220 mm x 425 mm x 360 mm 8.7 x 16.7 x 14.2 inches
	Weight of hopper	3.5 kg / 7.7 lbs.
	Weight of the dryer body	13.6 kg / 30 lbs.
	Weight of dryer body & hopper	17.1 kg / 37.7 lbs.